



Breva a chair, by Arik Levy, that can balance between tradition and modernity. Geometry, soft contours, traditional craftsmanship and technology combine to create a seat with solid wood structure that comprises shelf space with a soft, light look.

■ Finishes

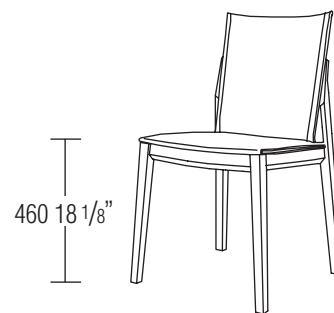
Wooden structure

dark oak
grey oak
wengé
American walnut

Cover (fully removable)

fabric
leather

■ Dimensions



W 486 - 19 1/8"
D 544 - 21 3/8"
H 850 - 33 1/2"

BSD1



Arik Levy Arik Levy, born 1963 in Tel Aviv, Israel, studied industrial design at Art Center College of Design in La Tour de Peilz, Switzerland. He taught at the École Nationale Supérieure de Création Industrielle / Les Ateliers, Paris, and led design workshops at various design schools in Europe. At the same time he created stage sets for modern dance performances at the Grand Theatre in Geneva, for the Netherlands Dance Theatre, the Finnish National Ballet and the BatSheva Dance Centre in Israel. In 1997, he co-founded the firm "L design" with Pippo Lionni.