



A walk-in system (shelves, clothes rails, drawer units etc.) suspended on racks fixed to the wall. The whole system can be completed with panels in several finishes creating an elegant boiserie effect. Stack comes in melamine plus some coloured glass options for the wall panels and drawer unit fronts.

Available finishes

Wall panels:

Wood melamine, pearl melamine, coloured glass, mirror.

Drawer unit fronts:

wood melamine, pearl melamine, coloured glass, coloured glass and clear glass.

Drawer on wheels:

wood melamine, pearl melamine.

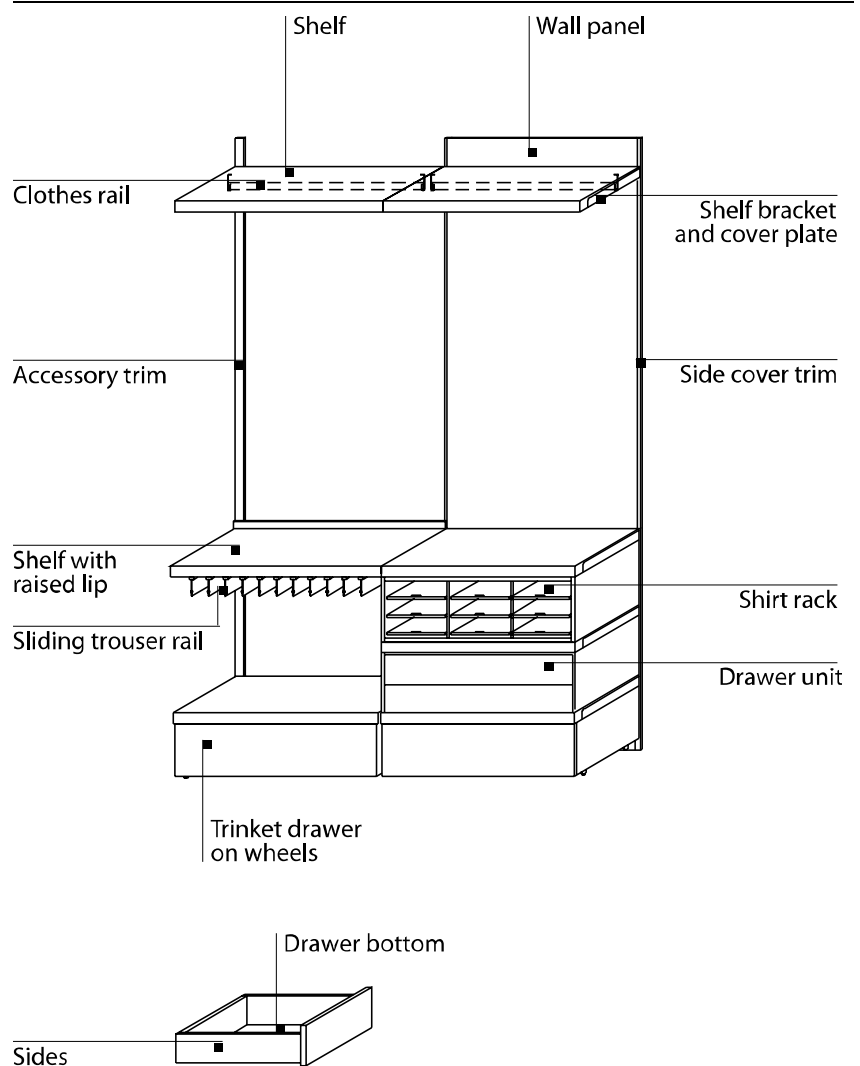
Shirt rack:

wood melamine, pearl melamine.

Shelves:

wood melamine, pearl melamine.

Components



Materials

Accessory trim

Two pieces of anodized extruded aluminium.

Shelf bracket

Chrome steel.

Cover plate

Chrome, bent sheet metal.

Shelf and shelf with raised lip

Chipboard covered with melamine. Lip in anodized extruded aluminium.

Wall panel, drawer unit structure, door unit fronts, shirt rack structure and drawer bottom

Chipboard covered with melamine.

Trinket drawer on wheels

Chipboard covered with melamine. The bottom is also available in perforated sheet metal with scratch-resistant paint.

Shirt trays

MDF panel covered with melamine.

Wall panels and drawer unit fronts (glass versions)

Chipboard covered with melamine, with applied toughened 5mm crystal, painted in colours from the Molteni Range.

Inside drawer sides

Support consisting in central plywood panel with MDF on the outside, covered with melamine.

Inside drawer bottom

Chipboard covered with melamine.

Clothes rail

In chrome metal or solid Ramin wood covered with sheet melamine. Chrome metal supports.

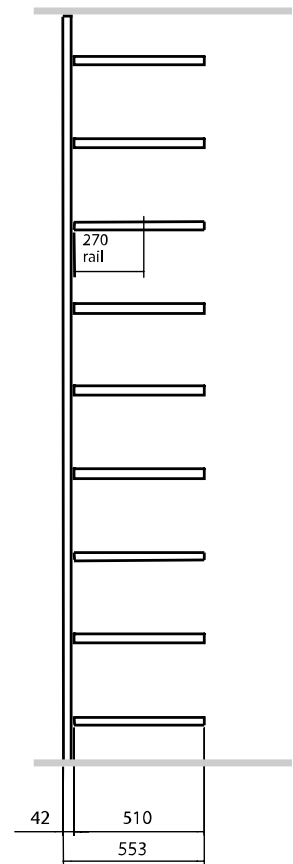
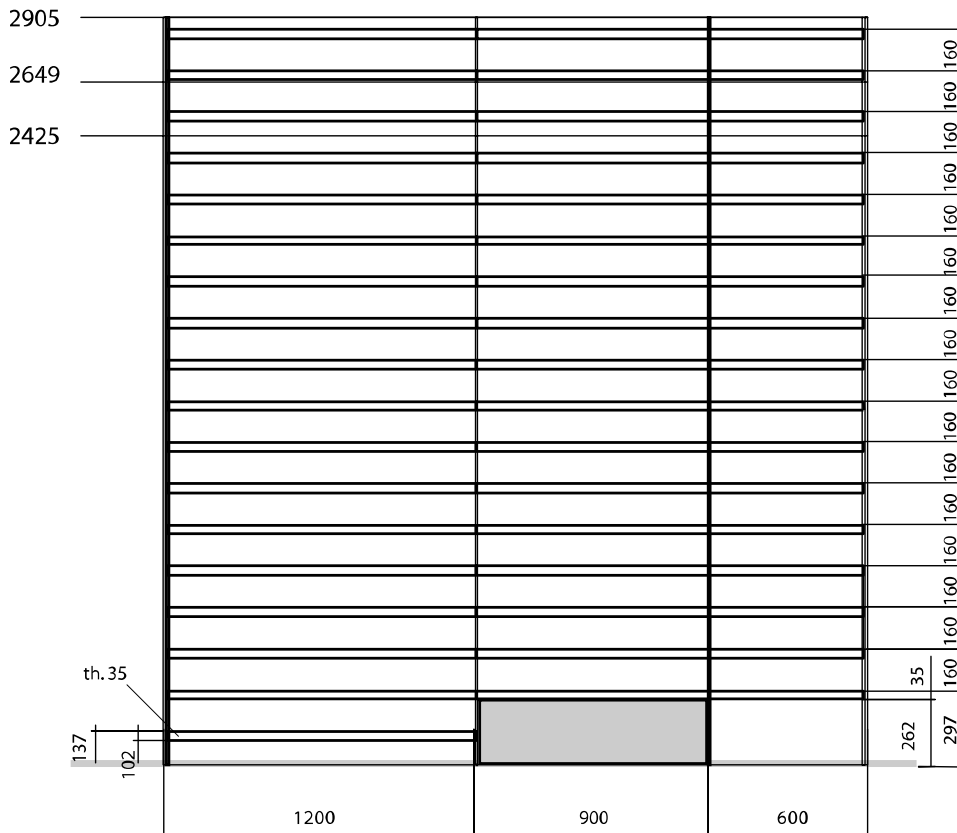
Side cover trim

In solid Ramin wood, with aluminium insert.

Sliding trouser rail

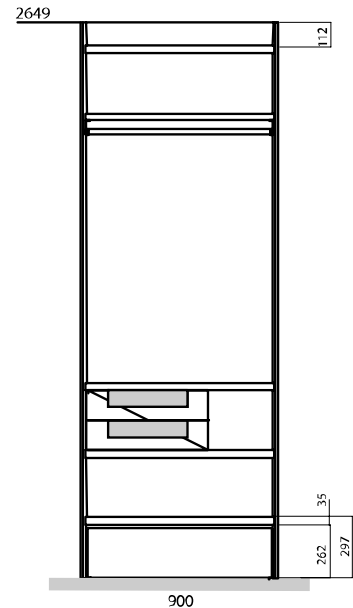
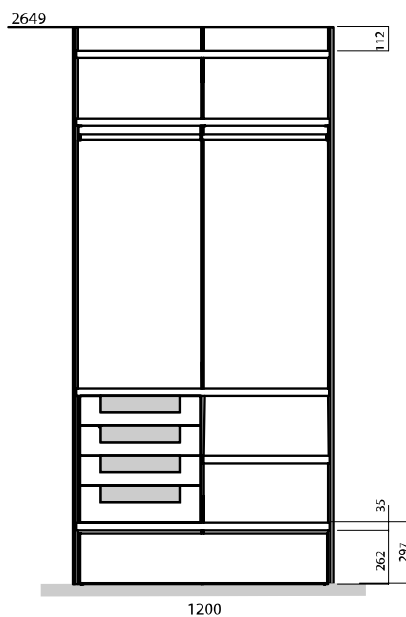
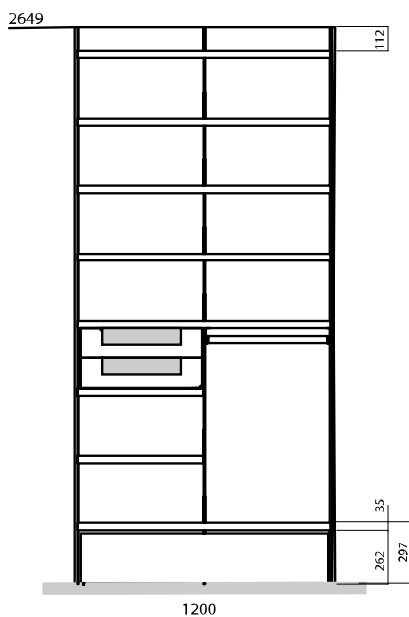
Chrome steel covered on top with non-slip velvety paper.

Modularity



The shelves can be positioned at a regular step of 160 mm.
 They start 137 mm above the floor.
 The height and width of the modules can be reduced.
 The rack sections always have a shiny aluminium finish.

Examples of composition



Use and maintenance

The product was designed for use in the home; only mount the wardrobe on the wall after checking resistance of wall materials; the shelves have a max. load capacity of 25kg evenly distributed; do not climb onto, sit on or swing from the shelves; the vanishing metal drawer runners have automatic closure and safety catch to prevent the drawer falling out; the controlled closure runners stop the drawer banging against the structure thanks to a cushioning system; the drawers slide lightly and silently thanks to a system of hardened steel bearings; the runners require no maintenance; the drawers and trinket trays on wheels have a max. load capacity of 25kg; do not climb onto the drawers or swing from them. Lacquered parts may leave colour on the cloth. This is not a defect and disappears once the paint deposited on the surface during drying has been eliminated. Avoid impacts of all kinds against parts in plate glass. Avoid doing maintenance on components of the product yourself, contacting your retailer if anything goes wrong. Keep tops from coming into contact with water or other liquids, even for brief periods of time. Borders should not be placed in the vicinity of sources of heat over 45°C. Any odours given off by the product when unpacked are not toxic and disappear when exposed to airy surroundings.

Moving shelves

A - Raise the shelf.

B - Pull out and move shelf supports to the desired height.

C - Put the shelf back in place.

Maintenance of parts in melamine, glass and metal

It is advisable to clean these parts with alcohol diluted with water, drying them immediately with a soft cloth. All these operations should be carried out with the greatest of care to avoid scratching the surface. Exposure to direct sunlight may alter the colour of the wood and lacquer. Avoid the use of products containing acetone, ammonia, chlorine and solvents, abrasive products and waxes for furniture.

Disposal

Once discarded, neither the product nor its components should be abandoned in unauthorised areas.