

Range of storage units with hinged doors and drawers, all with pressure opening.



Available finishes

glossy lacquer, wood

Materials

Internal structure

Chipboard covered with melamine painted Moka from the Molteni Range.

Central shelf

Panel covered with melamine, painted Moka from the Molteni Range.

External finish (wood version)

Chipboard covered with veneer.

External finish (glossy lacquer version)

Chipboard covered with melamine, painted with a glossy polyester finish in colours from the Molteni Range.

Feet and support bar

Chrome steel with support bar painted black.

Internal drawer sides

Central plywood support with MDF on the outside covered with fine melamine.

Internal drawer bottom

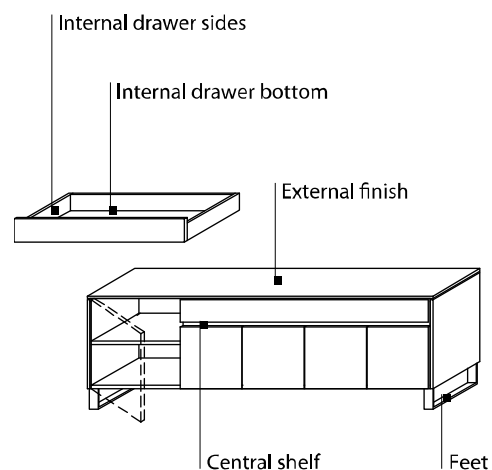
Chipboard covered with fine melamine.

Padded drawer bottom

Chipboard covered with fine melamine and non-removable fabric.

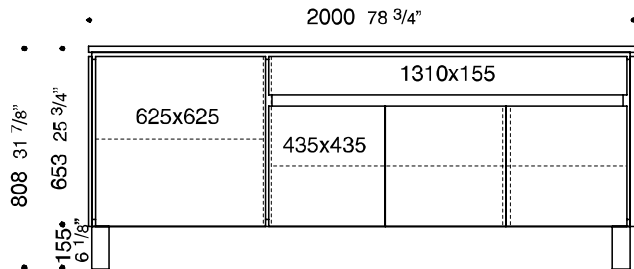
Partition

Extruded aluminium covered with non-removable fabric and side caps.

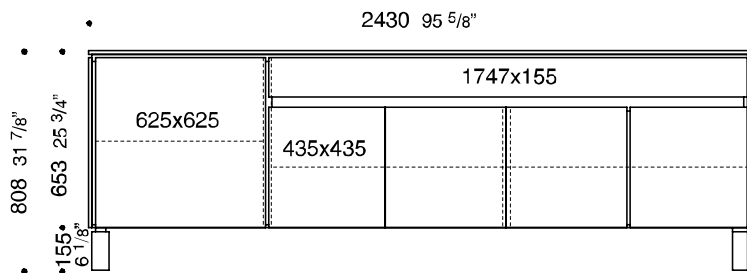


Types

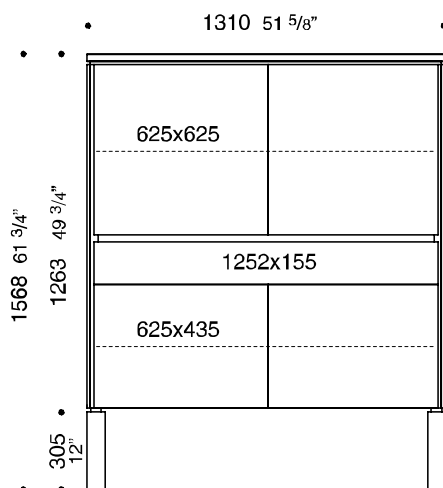
C1A



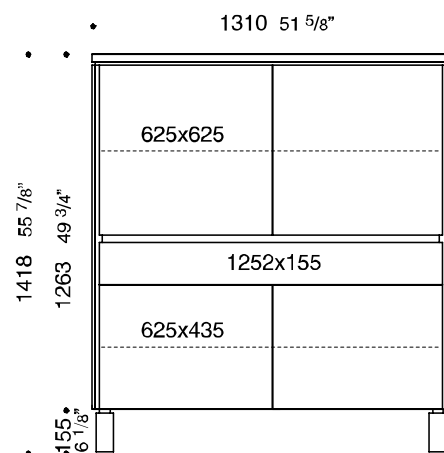
C2A



C1C with feet h. 305 - 12"



C1C with feet h. 155 - 6 1/8"



Use and maintenance

The product was designed for domestic use for lightweight objects. The upper shelf was made to hold light weights and is not to be considered a work top of any kind. Do not stand on the item. Do not use open drawers as stepladders and do not hang on the doors. The invisible metal drawer runners have a safety catch to prevent them falling out. The drawers slide lightly and silently thanks to a system of reinforced steel bearings. The drawer is opened by pushing the front inwards; pulling the front outwards may damage the drawer mechanism. The runners require no maintenance. The weight-bearing capacity of the drawers is 25kg. Never open all the drawers at the same time. Do not try to do maintenance work on components of the product yourself: contact your retailer if anything goes wrong. Never allow tops to remain in contact with water or other liquids, even for brief periods. Never place near heat sources in excess of 45° C or in damp places. Lacquered parts may leave colour on cleaning cloths. This is not a defect and disappears once the paint deposited on the surface during drying has been eliminated.

Any odours given off by the product when unwrapped are not toxic and disappear in an aired room.

Wood, matt lacquer and metal care

These parts should be cleaned using white spirit diluted with water or products for glass. Dry immediately with a soft cloth. All these operations should be carried out with the greatest of care to avoid scratching the surface. Exposure to direct sunlight may alter the colour of the wood and lacquer. Avoid the use of products containing acetone, ammonia, chlorine and solvents, abrasive products and waxes for furniture.

Shiny lacquer care

The above recommendations apply but remember that with time cleaning can cause scratching and reduce the shine.

Cloth care

Remove dust with a soft cloth; treat any stains by wiping the surface with a warm damp cloth.

Disposal

Once discarded, neither the product nor its components should be dumped in unauthorised areas, but taken to official waste disposal sites.