



Carteggio is an item of furniture with drawers, a pull-out top and shuttered bay, made entirely of wood.

Available finishes

wood

Outer dimensions

w. 46 – d. 48 – h. 160 cm

w. 18^{1/8}" – d. 18^{7/8}" – h. 63"

Materials

Base and intermediate top

Panel covered with veneer

Exterior sides

Plywood panel faced with veneer

Lid, back, doors and drawer fronts

Particleboard panel faced with veneer

Interior sides of drawer

Plywood panel faced with veneer

Interior bottom of drawer

Particleboard panel faced with veneer

Pull-out top

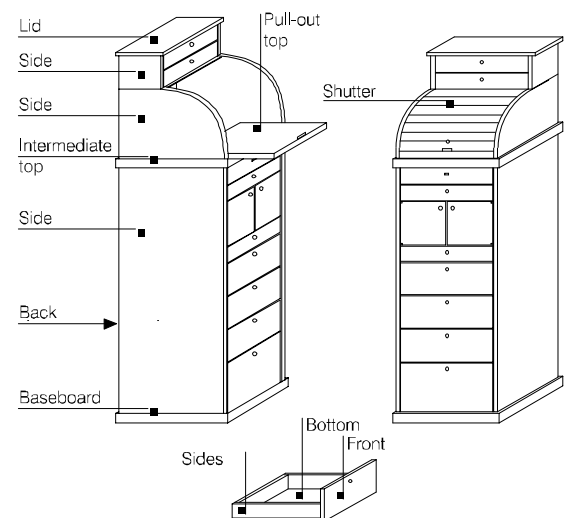
Particleboard panel faced with veneer

Shutter

In wood

Knob

In wood



Use and maintenance

The product is designed for domestic use as a container for lightweight objects; the upper top is designed to support light weights. It is not to be considered a work top; do not climb up on furniture; do not use drawers as stepladders; do not open all the drawers at the same time; avoid doing maintenance jobs yourself on the product's components, and call your retailer if anything goes wrong; keep tops from contact with water or other liquids, even for brief period; edges must not be situated near sources of heat over 45°C. Any odours given off by the product when unpacked are not toxic and disappear when in an aired room.

Maintenance of parts in wood

It is advisable to clean these parts by using alcohol diluted with water and drying them immediately with a soft cloth. All these operations should be carried out with the greatest of care to avoid scratching the surface.

Exposure to direct sunlight may alter the colour of the wood. Avoid products containing acetone, ammonia, chlorine and solvents; abrasive products and wax for furniture.

Disposal

Once discarded, neither the product nor its components should be dumped in unauthorised areas, but taken to official waste disposal sites.