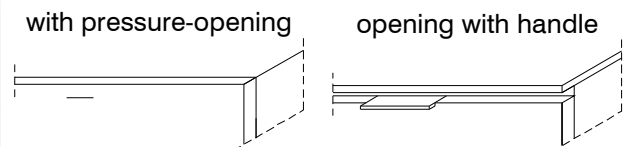




A versatile system of drawer units with a folding structure; a single component folded to 90 degrees for versatile use of the top. 909 comes with automatic pressure opening door and adjustable foot h. 20. A fine insert in shiny aluminium or satin bronze distinguishes the top, replacing the handle.



## Available finishes

### Structure and drawer fronts:

matt lacquer, wood

### Handle:

shiny chrome finish

### Top:

coloured glass, wood

## Materials

### Structure, base and back (wood version)

Particleboard panel, covered with veneer.

### Pressure opening drawer front (wood version)

MDF panel covered with veneer. Painted metal insert.

### Structure, base and back (coloured lacquer version)

Particleboard panel coated with melamine resin, painted in colours from the Molteni range.

### Pressure opening drawer front (coloured lacquer version)

MDF panel coated with melamine resin, painted in tones from the Molteni spectrum. Painted metal insert.

### Interior side of drawer

Support consisting of a central multi-layered panel with medium-density fibre panels on the outside, coated with melamine resin.

### Interior bottom of drawer

Particleboard panel coated with melamine resin.

### Glass top

10 mm thick reinforced glass.

### Wood top

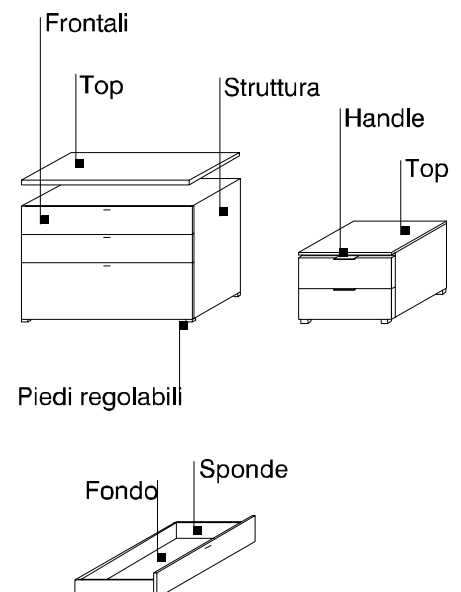
MDF panel covered with veneer.

### Marble top

Absolute black granite or Calacatta, water- and dirt-repellent treatment.

### Adjustable feet

In metal covered with plastic material. Supports in antiskid plastic.

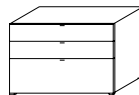
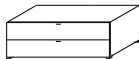


## Types

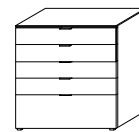
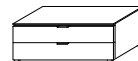
<p><b>Drawer with pressure-opening</b></p>	<p>w. 48 - d. 48 - h. 34 cm w. 18<sup>7/8</sup>" - d. 18<sup>7/8</sup>" - h. 13<sup>3/8</sup>"</p> <p>2 drawers h. 16 cm / 6<sup>1/4</sup>" inside drawer: w.39 - d.37 - h.8 cm / w.15<sup>3/8</sup>" - d.14<sup>5/8</sup>" - h.3<sup>1/8</sup>"</p>	<p>w. 48 - d. 48 - h. 50 cm w. 18<sup>7/8</sup>" - d. 18<sup>7/8</sup>" - h. 19<sup>5/8</sup>"</p> <p>3 drawers h. 16 cm / 6<sup>1/4</sup>" inside drawer: w.39 - d.37 - h.8 cm / w.15<sup>3/8</sup>" - d.14<sup>5/8</sup>" - h.3<sup>1/8</sup>"</p>	<p>w. 48 - d. 48 - h. 98 cm w. 18<sup>7/8</sup>" - d. 18<sup>7/8</sup>" - h. 38<sup>5/8</sup>"</p> <p>1 drawer h. 32 cm / 12<sup>5/8</sup>" inside drawer: w.39 - d.37 - h.16 cm / w.15<sup>3/8</sup>" - d.14<sup>5/8</sup>" - h.6<sup>1/4</sup>"</p> <p>4 drawers h.16 cm / 6<sup>1/4</sup>" inside drawer: w.39 - d.37 - h.8 cm / w.15<sup>3/8</sup>" - d.14<sup>5/8</sup>" - h.3<sup>1/8</sup>"</p>
--	--	--	--



<p><b>Drawer with pressure-opening</b></p>	<p>w. 96 - d. 48 - h. 34 cm w. 37<sup>6/8</sup>" - d. 18<sup>7/8</sup>" - h. 13<sup>3/8</sup>"</p> <p>2 drawers h. 16 cm / 6<sup>1/4</sup>" inside drawer: w.87 - d.37 - h.8 cm / w.34<sup>1/4</sup>" - d.14<sup>5/8</sup>" - h.3<sup>1/8</sup>"</p>	<p>w. 96 - d. 48 - h. 66 cm w. 37<sup>6/8</sup>" - d. 18<sup>7/8</sup>" - h. 26"</p> <p>1 drawer h. 32 cm / 12<sup>5/8</sup>" inside drawer: w.87 - d.37 - h.16 cm / w.34<sup>1/4</sup>" - d.14<sup>5/8</sup>" - h.6<sup>1/4</sup>"</p> <p>2 drawers h.16 cm / 6<sup>1/4</sup>" inside drawer: w.87 - d.37 - h.8 cm / w.34<sup>1/4</sup>" - d.14<sup>5/8</sup>" - h.3<sup>1/8</sup>"</p>	<p>w. 96 - d. 48 - h. 98 cm w. 37<sup>6/8</sup>" - d. 18<sup>7/8</sup>" - h. 38<sup>5/8</sup>"</p> <p>1 drawer h. 32 cm / 12<sup>5/8</sup>" inside drawer: w.87 - d.37 - h.16 cm / w.34<sup>1/4</sup>" - d.14<sup>5/8</sup>" - h.6<sup>1/4</sup>"</p> <p>4 drawers h.16 cm / 6<sup>1/4</sup>" inside drawer: w.87 - d.37 - h.8 cm / w.34<sup>1/4</sup>" - d.14<sup>5/8</sup>" - h.3<sup>1/8</sup>"</p>
--	--	--	--



<p><b>Drawer opening with handle</b></p>	<p>w. 48 - d. 48 - h. 36,5 cm w. 18<sup>7/8</sup>" - d. 18<sup>7/8</sup>" - h. 14<sup>3/8</sup>"</p> <p>2 cassetti h. 16 cm / 6<sup>1/4</sup>" interno cassetto: w.39 - d.37 - h.8 cm L 15<sup>3/8</sup>" - P 14<sup>5/8</sup>" - H 3<sup>1/8</sup>"</p> <p>Top w.48 - d.48,4 - Th. 1 cm w.18<sup>7/8</sup>" - d.19" - h.3/8"</p>	<p>w. 48 - d. 48 - h. 52,5 cm w. 18<sup>7/8</sup>" - d. 18<sup>7/8</sup>" - h. 20<sup>5/8</sup>"</p> <p>3 cassetti h. 16 cm / 6<sup>1/4</sup>" interno cassetto: w. 39 - d. 37 - h. 8 cm w. 15<sup>3/8</sup>" - d. 14<sup>5/8</sup>" - h. 3<sup>1/8</sup>"</p> <p>Top w.48 - d.48,4 - Th. 1 cm w.18<sup>7/8</sup>" - d.19" - h.3/8"</p>	<p>w. 96 - d. 48 - h. 36,5 cm w. 37<sup>6/8</sup>" - d. 18<sup>7/8</sup>" - h. 14<sup>3/8</sup>"</p> <p>2 cassetti h. 16 cm / 6<sup>1/4</sup>" interno cassetto: w. 87 - d. 37 - h. 8 cm w. 34<sup>1/4</sup>" - d. 14<sup>5/8</sup>" - h. 3<sup>1/8</sup>"</p> <p>Top w. 96 - d. 48,4 - Th. 1 cm w. 37<sup>6/8</sup>" - d. 19" - h. 3/8"</p>	<p>w. 96 - d. 48 - h. 100,5 cm w. 37<sup>6/8</sup>" - d. 18<sup>7/8</sup>" - h. 39<sup>5/8</sup>"</p> <p>1 cassetto h. 32 cm / 12<sup>5/8</sup>" interno cassetto: w. 87 - d. 37 - h. 16 cm w. 34<sup>1/4</sup>" - d. 14<sup>5/8</sup>" - h. 6<sup>1/4</sup>"</p> <p>4 cassetti h. 16 cm / 6<sup>1/4</sup>" interno cassetto: w. 87 - d. 37 - h. 8 cm w. 34<sup>1/4</sup>" - d. 14<sup>5/8</sup>" - h. 3<sup>1/8</sup>"</p> <p>Top w. 96 - d. 48,4 - Th. 1 cm w. 37<sup>6/8</sup>" - d. 19" - h. 3/8"</p>
--	---	---	--	---



<p><b>Finishings Top</b></p>	<p>w. 48 - d. 48,4 - Th. 1 cm w. 18<sup>7/8</sup>" - d. 19" - h. 3/8"</p>	<p>w. 96 - d. 48,4 - Th. 1 cm w. 37<sup>6/8</sup>" - d. 19" - h. 3/8"</p>
------------------------------	---	---



## Use and maintenance

The product was designed for domestic use for lightweight objects. Tops were made to support light weights and should not be used as work tops of any kind. Do not climb up on furniture or drawers; in the version with handle, the vanishing metal drawer runners have automatic closing and safety catch to stop them falling out; the drawers slide lightly and silently thanks to a system of reinforced steel bearings; the runners require no maintenance. Load-bearing capacity of drawers is 25kg. Do not open all the drawers at the same time. Lacquered parts may leave traces of colour on the cloth: this is not a defect and disappears once the lacquer deposited on the surface during drying has been eliminated. Avoid impacts of all kinds against parts in plate glass. Avoid doing maintenance on components of the product yourself: contact your retailer if anything goes wrong. Keep tops from coming into contact with water or other liquids, even for brief periods of time. Borders should not be placed in the vicinity of sources of heat over 45°C. Any odours given off by the product when unpacked are not toxic and disappear in an aired room.

### **Maintenance of parts in wood**

It is advisable to clean these parts with alcohol diluted with water, drying immediately with a soft cloth. All these operations should be carried out with the greatest of care to avoid scratching the surface. Exposure to direct sunlight may alter the colour of the wood and lacquer. Avoid the use of products containing acetone, ammonia, chlorine and solvents, abrasive products and wax for furniture.

### **Maintenance of lacquered and glass parts**

For ordinary care, use a soft, dry cloth to remove dust. For greasy dirt (fingerprints), we recommend the use of standard glass-cleaning detergents containing ammonia. Avoid products containing solvents and/or spirits and cloths with hard fibres (synthetic/linen) as they could ruin and/or scratch the surfaces.

All these operations should be carried out very carefully to avoid scratching the surface.

Exposure to direct sunlight may alter the colour of the lacquering.

### **Maintenance of marble top**

As regards normal maintenance, dust and dry residues, use a soft cloth. For stubborn dry dirt (dust which has penetrated into the porosity of the granite) it is advisable to use a close-knitted or a spongy cloth, slightly dampened with warm water and well wrung out. Clean by following the vein of the surface without applying too much pressure. As for both greasy and oily marks (fingerprints) it is recommended to treat the surfaces with a small sponge dampened with water and washing-up liquid. Afterwards go over the surfaces once again as described above. Products which contain solvents and/or methylated spirits as well as cloths with rigid fibres (linen and synthetic fibres) are to be avoided as these may ruin the varnish. Given the kind of treatment it is important to immediately remove stains following the above described procedures.

### **Disposal**

Once discarded, neither the product nor its components should be dumped in unauthorised areas but taken to official waste disposal sites.