



A range of assembled 505 drawer units with uniform front design, pressure opening and glass top.

The structure is available finished in lacquer in colours from the Molteni range or in wood. The fronts come in the same finishes as the structure or in coloured glass. The top is in coloured glass. The top edge and the distinctive 'mark' on the front are available with a shiny aluminium finish. Rear finished as structure.

Available finishes

Structure:

matt lacquer, wood.

Front:

Matt lacquer, wood, coloured glass.

Materials

Structure

Chipboard covered with veneer or melamine lacquered in colours from the Molteni range.

Drawer front (wood or lacquered in Molteni colours)

Chipboard covered with veneer or melamine painted in colours from the Molteni range.

Drawer front (glass version)

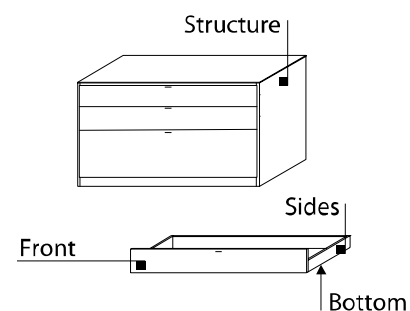
Chipboard covered with painted melamine with application of 5mm reinforced crystal painted in colours from the Molteni range.

Internal drawer sides

Central plywood support with MDF outer panels and melamine finish.

Inside drawer bottom

Chipboard covered with melamine.



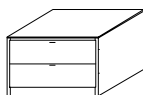
Types

Bedside unit

w.63 – d.55 – h.41 cm
w.24^{7/8}" – d.21^{5/8}" – h.16^{1/8}"

2 drawers h.16cm / 6^{1/4}"

internal drawers: w.53 – d.42 – h.8cm / w.20^{7/8}" – d.16^{1/2}" – h.3^{1/8}"



Maxi drawers unit

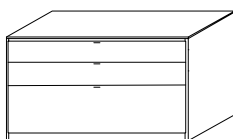
w.126 – d.55 – h.72 cm
w.49^{5/8}" – d.21^{5/8}" – h.28^{3/8}"

1 drawer h.32cm / 12^{5/8}"

internal drawer: w.116 – d.42 – h.22cm / w.45^{5/8}" – d.16^{1/2}" – h.8^{5/8}"

2 drawers h.16cm / 6^{1/4}"

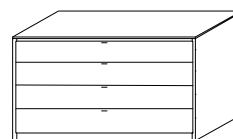
internal drawers: w.116 – d.42 – h.8cm / w.45^{5/8}" – d.16^{1/2}" – h.3^{1/8}"



w.126 – d.55 – h.72 cm
w.49^{5/8}" – d.21^{5/8}" – h.28^{3/8}"

4 drawers h.16cm / 6^{1/4}"

internal drawers: w.116 – d.42 – h.8cm / w.45^{5/8}" – d.16^{1/2}" – h.3^{1/8}"



Use and maintenance

The product is designed for domestic use to hold lightweight objects. Tops are designed to support light weights and not for use as work tops of any kind. Do not climb up on furniture or drawers. Load-bearing capacity of drawers is 25kg. Do not open all the drawers at the same time. Lacquered parts may leave traces of colour on the cloth: this is not a defect and disappears once the lacquer deposited on the surface during drying has been eliminated. Avoid impacts of all kinds against parts in plate glass. Avoid doing maintenance on components of the product yourself, contacting your retailer if anything goes wrong. Keep tops from coming into contact with water or other liquids, even for brief periods of time. Borders should not be placed in the vicinity of sources of heat over 45°C. Any odours given off by the product when unpacked are not toxic and disappear in an aired room. **Maintenance of parts in wood, lacquered, glass and metal**

It is advisable to clean these parts with alcohol diluted with water, drying immediately with a soft cloth. All these operations should be carried out with the greatest of care to avoid scratching the surface. Exposure to direct sunlight may alter the colour of the wood and lacquer. Avoid the use of products containing acetone, ammonia, chlorine and solvents, abrasive products and wax for furniture.

Disposal

Once discarded, neither the product nor its components should be left in unauthorised areas, but taken to official waste disposal sites.