



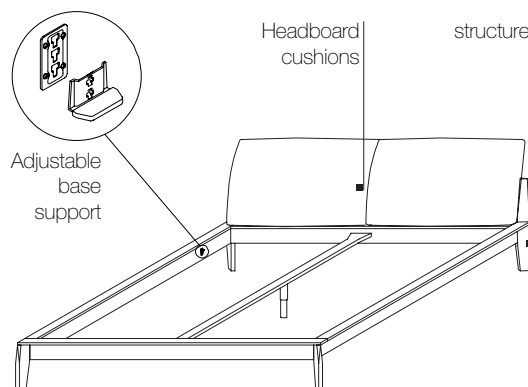
Wish, by Rodolfo Dordoni is a a double bed in solid wood with minimal, refined lines. Comes with soft pillows for the head, in fabric or in leather, which combine with the wood of the structure: dark oak, grey oak wengè or American walnut. All covers can be removed.



Rodolfo Dordoni Rodolfo Dordoni is polite and elegant, like his designs, which range from art direction to industrial design, from refurbishments to exhibition and showroom fittings. After graduating in Architecture at the Milan Politecnico in 1979, Dordoni started working in the world of design. He specialised in image strategy, from product to communication. He has been Art Director of firms like Artemide, for its glass collection, Cappellini, FontanaArte (for its furnishings), Foscarini and Minotti. He is also behind the shop concepts for Anteprima and Breil. Despite his passion for communication strategies, Dordoni has never stopped designing furniture and furnishing accessories for large Italian and international firms. Dordoni Architects also develops projects for homes, residential complexes, industrial and commercial spaces such as offices, shops and showrooms, restaurants, hotels, boats, as well as fittings and fair stands of different commercial areas. For Molteni&C. he has designed various collections of furniture, from the small armchairs Lyz to the table Leaf, from the container system Look to the Lean chairs. His matching element furnishing systems are particularly important: Glide is a series of sliding panels, dividing elements for separating the various areas of the home. Stack is a wardrobe with an articulated system of drawers and shelves which slide up and down vertical runners and mean that each individual can personalise wardrobe space.

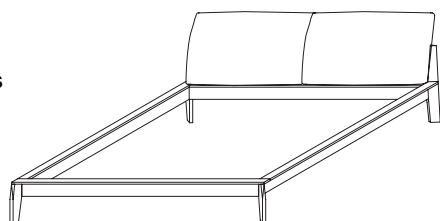
■ Finishes

Struttura: american walnut, wengé, dark oak, grey oak
Headboard cushions: fabric, leather



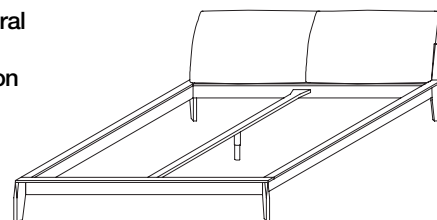
■ Types

Beds taking double mattress-bases



WLE16 WLE17 WLE18
WLEQS WLEKS

Beds with central support for dual insertion single bases



WLE16T WLE17T WLE18T
WLEQST WLEKST

■ Dimensions

	WLE16 WLE16T	WLE17 WLE17T	WLE18 WLE18T	WLEQS WLEQST	WLEKS WLEKST
outer dimensions (cm)					
width L	180 - 70 ^{7/8} "	190 - 74 ^{3/4} "	200 - 78 ^{3/4} "	174 - 68 ^{1/2} "	214 - 84 ^{1/4} "
length P	231 - 91"	241 - 94 ^{7/8} "	241 - 94 ^{7/8} "	234 - 92 ^{1/8} "	234 - 92 ^{1/8} "
height H	86 - 33 ^{7/8} "	86 - 33 ^{7/8} "	86 - 33 ^{7/8} "	86 - 33 ^{7/8} "	86 - 33 ^{7/8} "
height bed base H1	32 - 12 ^{5/8} "	32 - 12 ^{5/8} "	32 - 12 ^{5/8} "	32 - 12 ^{5/8} "	32 - 12 ^{5/8} "
inner dimensions (cm)					
width L1	160 - 63"	170 - 66 ^{7/8} "	180 - 70 ^{7/8} "	155 - 61"	195 - 76 ^{3/4} "
length P2	200 - 78 ^{3/4} "	210 - 82 ^{3/4} "	210 - 82 ^{3/4} "	205 - 80 ^{3/4} "	205 - 80 ^{3/4} "

required height to insert slatted base D

side band	L	5,5 - 2 ^{1/8} "
	D	7,5 - 3"
	H	9,5 - 3 ^{3/4} "

