



A series of different shaped beds; the interior part of the headboard can be tilted to provide an adjustable tabletop area. The bed, thanks to the crosspieces connecting the bed guides, can support single or divided mattress-bases, and the height of the base can be adjusted. The High-Wave model is also available with a bed-base storage container.

## Available finishes

fabric, leather, Alcantara®

## Materials

### Structure

Made of solid wood and multi-layered wooden panels upholstered with shaped polyurethane and covered in double-layer velveteen.

### Head rest

Metallic framework with elastic straps upholstered with polyurethane covered in foam rubber. Cover in double-layer velveteen.

### Bases (for bed-base storage container)

Melamine finished chipboard panelling with nylon positioning handles.

### High feet

Steel structure covered with shiny chrome plastic material. Supports in antiskid plastic.

### Low feet

Chrome-plated steel with supports in anti-skid plastic.

### Internal crosspieces

Varnished metal.

### Mattress-base spacer

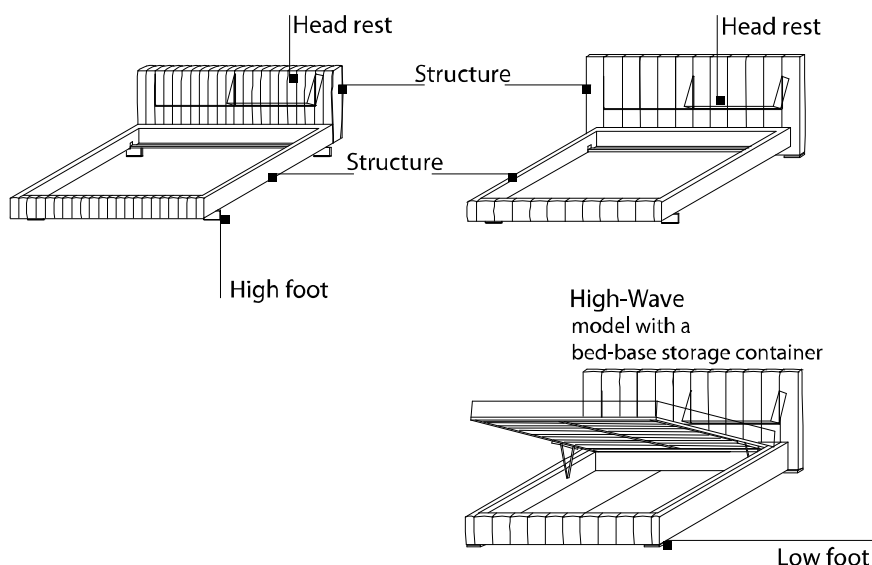
Plastic.

### External removable slipcovers

Removable

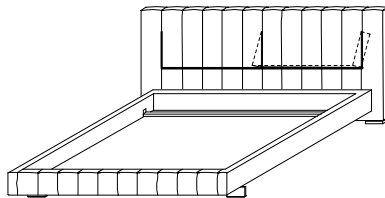
Low-Wave

The drawing refers to the fabric versions

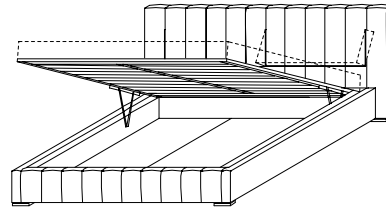


## Types

**High-Wave** Beds taking double mattress-bases and two single mattress-bases

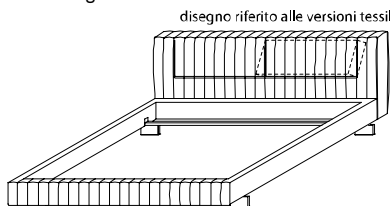


Double bed with tilting mattress-base and container under the mattress-base



**Low-Wave** Beds taking double mattress-bases and two single mattress-bases

The fabric versions are quilted. The leather versions are not quilted but provided with micro-holes on the sides.



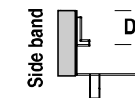
## High-Wave dimensions

### OUTER DIMENSIONS

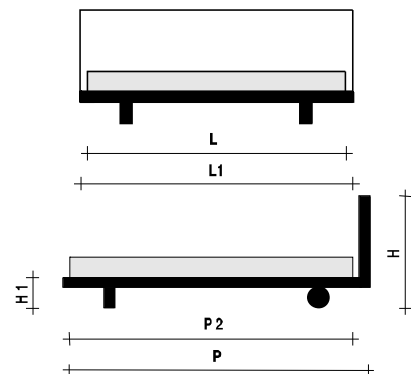
<b>L</b>	Width bed base	<b>180</b> 70 7/8" <b>190</b> 74 3/4" <b>200</b> 78 3/4"	<b>KS 215</b> 84 5/8"
<b>L1</b>	Width bedhead	<b>200</b> 78 3/4" <b>210</b> 82 3/4" <b>220</b> 86 5/8"	<b>KS 235</b> 92 1/2"
<b>P</b>	Length	<b>220</b> 86 5/8" <b>230</b> 90 1/2"	<b>KS 225</b> 88 5/8"
<b>H</b>	Height	<b>104</b> 41"	
<b>H 1</b>	Height bed base	<b>31</b> 12 1/4"	

### INNER DIMENSIONS

<b>L1</b>	Width	<b>160</b> 63" <b>170</b> 66 7/8" <b>180</b> 70 7/8"	<b>KS 195</b> 76 3/4"
<b>P2</b>	Length	<b>200</b> 78 3/4" <b>210</b> 82 3/4"	<b>KS 205</b> 80 3/4"
<b>D</b>	Required height to insert slatted base	<b>7,5</b> 3" <b>9,5</b> 3 3/4" <b>11,5</b> 4 1/2"	



measurements in centimeters



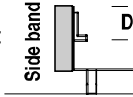
## Low-Wave dimensions

### OUTER DIMENSIONS

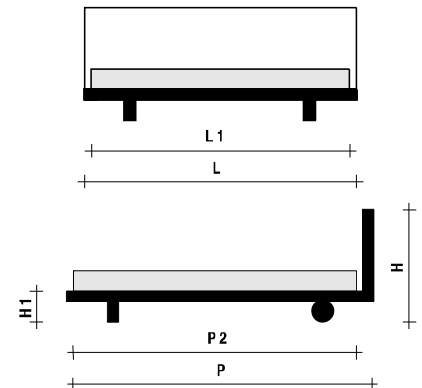
<b>L</b>	Width	180 70 <sup>7/8"</sup> 190 74 <sup>3/4"</sup> 200 78 <sup>3/4"</sup>	QS 180 70 <sup>7/8"</sup> KS 215 84 <sup>5/8"</sup>
<b>P</b>	Length	230 90 1/2" 240 94 1/2"	QS-KS 235 92 1/2"
<b>H</b>	Height	86 33 7/8"	
<b>H 1</b>	Height bed base	31 12 1/4"	

### INNER DIMENSIONS

<b>L 1</b>	Width	160 63" 170 66 7/8" 180 70 7/8"	QS 155 61" KS 195 76 3/4"
<b>P 2</b>	Length	200 78 3/4" 210 82 3/4"	QS-KS 205 80 3/4"
<b>D</b>	Required height to insert slatted base	7,5 3" 9,5 3 3/4" 11,5 4 1/2"	



measurements in centimeters



## Use and maintenance

This product is intended for domestic use. Do not stand on the bed runners. Avoid maintenance of product components and contact the retailer for all needs. Normal use results in compression of the padded parts during the average lifespan of the product. Do not place the product close to heat in excess of 45°C. Unusual smells emitted by the product when just unpacked are not toxic and will disappear when placed in an aired room.

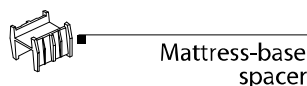
### Foot care

For ordinary care, use a soft, dry cloth to remove dust. For greasy dirt (fingerprints), we recommend the use of standard glass-cleaning detergents containing ammonia. Avoid products containing solvents and/or spirits and cloths with hard fibres (synthetic/linen) as they could ruin and/or scratch the surfaces. For monthly cleaning of the low feet, treat the surfaces with products specifically suitable for cleaning/polishing metal.

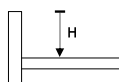
### Adjustment of mattress-base height

It is possible to adjust the height of the mattress-bases by using the appropriate spacers. Before positioning the mattress-base, make sure that all the spacers have been correctly positioned.

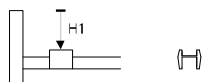
Mattress-base height adjustment		
Without spacer	H	11,5
With spacer (1)	H1	9,5
With spacer (2)	H2	7,5



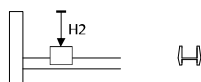
without spacer



with spacer (pos. 1)



with spacer (pos. 2)



### Storage compartment

The storage compartment has a capacity of 50kg evenly distributed and has handles for lifting the bottom to clean beneath the bed.

### Lifting base to use storage compartment

Use the handle to lift the base; push it down to lower it. Take the utmost care not to hurt your hands when lifting and lowering the base. Do this operation without people or objects on the bed.

### Maintenance - Covers

See covers information sheet (in the download section on the web site [www.molteni.it](http://www.molteni.it)).

Low-Wave covers: dry clean only

### Disposal

When no longer needed, the product and its components should not be abandoned in unauthorised areas.