



Clip is an upholstered double bed with a unique design. The headboard continues for the whole length of the bed to the footboard and folds back on itself to trace a highly original image resembling a paperclip. The headboard can be tilted to several positions.

The bed features a table with round opaque glass tops in colours from the Molteni Range resting on a curved structure in the same colour as the tops.

Available finishes

Bed: fabric, leather

Table (tops): coloured glass

Table (structure): lacquered

Materials

Tilting headboard

Polyurethane foam rubber with metal insert. light velvet cover. Support crosspiece in painted metal, with anodised aluminium wheels

Surround

Melamine-covered Birch plywood with MDF and padded with self-extinguishing foam polythene. Light velvet cover.

Runner cover

Particlewood panels finished with melamine with velvet cover.

Lower headboard panel

Multilayer poplar panel finished with melamine, lacquered in colours from Molteni range.

Feet

Painted metal

Adjustable mattress support

In tropicalised iron with soft PVC hood

Central support (accessory)

Painted metal with adjustable central foot in anodised aluminium

External cover

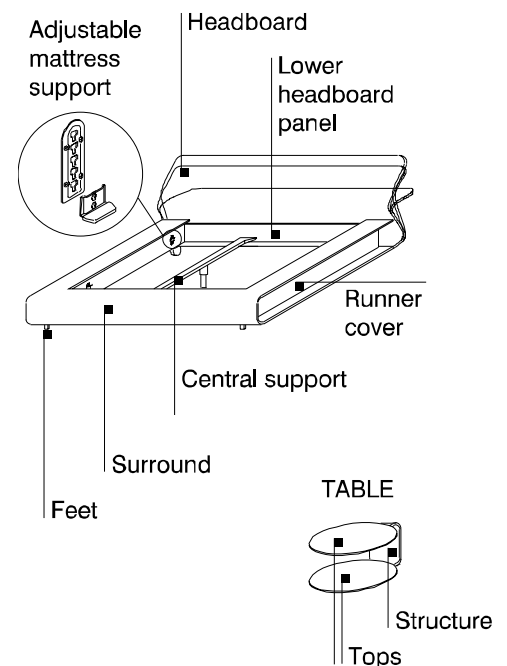
Removable

Table structure

Curved plywood panel covered with anodised 1mm sheet aluminium and covered with Aniegrè, painted in one of the colours of the Molteni Range.

Crystal table tops

Reinforced 6mm opaque crystal in a colour from the Range.

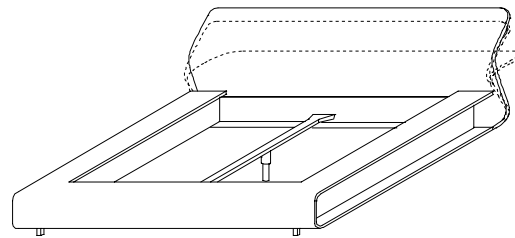
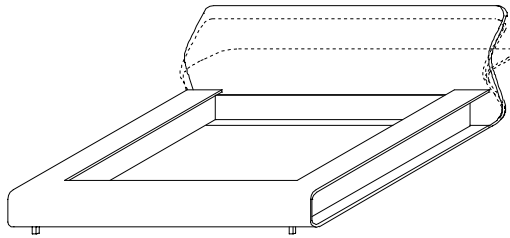


Types

Double beds

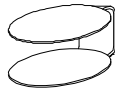
Beds taking double mattress-bases

Beds with central support for dual insertions single bases



Table

w. 65 – d. 70 – h. 34 cm
w. 25^{5/8}" – d. 27^{1/2}" – h. 13^{3/8}"



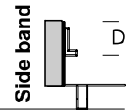
Dimensions

OUTER DIMENSIONS

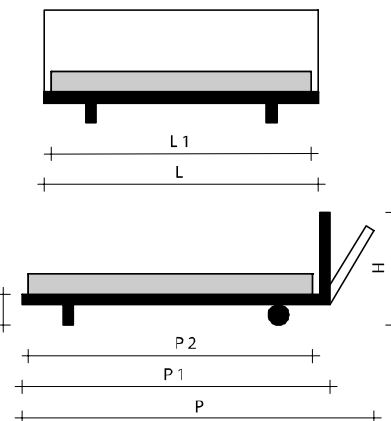
L	Width	194 76 3/8" 204 80 3/8" 214 84 1/4"
P	Length with tilted bedhead	253 99 5/8"
P 1	Length with vertical bedhead	228 89 3/4"
H	Height with vertical bedhead	79 31 1/8"
H 1	Height bed base	27 10 5/8"

INNER DIMENSIONS

L 1	Width	160 63" 170 66 7/8" 180 70 7/8"
P 2	Length	200 78 3/4" 210 82 3/4"
D	Required height to insert slatted base	6,5 2 1/2" 8,5 3 3/8" 10,5 4 1/8"
		11 4 3/8" 13 5 1/8" 13,5 5 3/8"
		15 5 7/8" 17,5 6 7/8"



measurements in centimeters



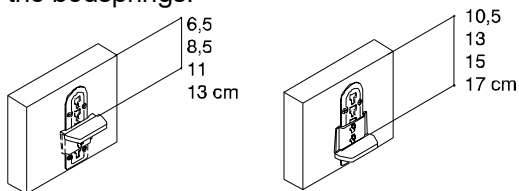
Use and maintenance

Bed

The product was designed for domestic use; do not climb up on the outer panels of bed; avoid doing maintenance jobs on the product yourself: contact your retailer if anything goes wrong. Normal use causes a flattening in padded parts during the average life of the same. Do not place the product in the vicinity of sources of heat of over 45°C. Any odours given off by the product when unpacked are not toxic and disappear in an aired room. To move the bed just raise it at the footboard end and move on its wheels as desired.

Adjustment of bedsprings support

The support can be attached to the plate in various positions, to arrive at the height necessary for the placing of the bedsprings.

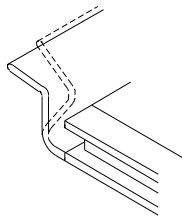


It is essential always to attach the support using the two notches on the plates. Before putting the spring in place, make sure that all the supports are in the same position.

Headboard adjustment

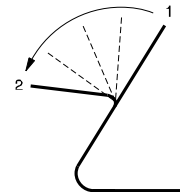
Bottom adjustment

The bottom part should be adjusted by two people when the bed is assembled. Working one at each side of the headboard, they should simultaneously move it to the desired position.



Top adjustment

The top of the headboard can be adjusted to any inclination between position 1 and position 2. Always start from position 1 when adjusting. If the headboard is adjusted on one side only, the inclination may not be the same all across. In this case, adjust the other side slightly for perfect alignment.



Maintenance - Covers

See information sheet (in the download section on the web site www.molteni.it).

Table

The product was designed for domestic use for light weights. Tops of tables are not to be considered work tops of any kind. Do not climb on tables and do not sit on them. Do not load up the ends of the table with weights that can cause damage or overturning. Avoid doing maintenance on components of the product yourself, contacting your retailer if anything goes wrong. Keep tops from coming into contact with water or other liquids, even for brief periods of time. Borders should not be placed near sources of heat of over 45°C. Any odours given off by the product when unpacked are not toxic and disappear when exposed to airy surroundings.

Maintenance of lacquered and glass parts

For ordinary care, use a soft, dry cloth to remove dust. For greasy dirt (fingerprints), we recommend the use of standard glass-cleaning detergents containing ammonia. Avoid products containing solvents and/or spirits and cloths with hard fibres (synthetic/linen) as they could ruin and/or scratch the surfaces.

All these operations should be carried out very carefully to avoid scratching the surface.

Exposure to direct sunlight may alter the colour of the lacquering.

Disposal

Once discarded, neither the product nor its components should be dumped in unauthorised areas, but taken to official waste disposal sites.